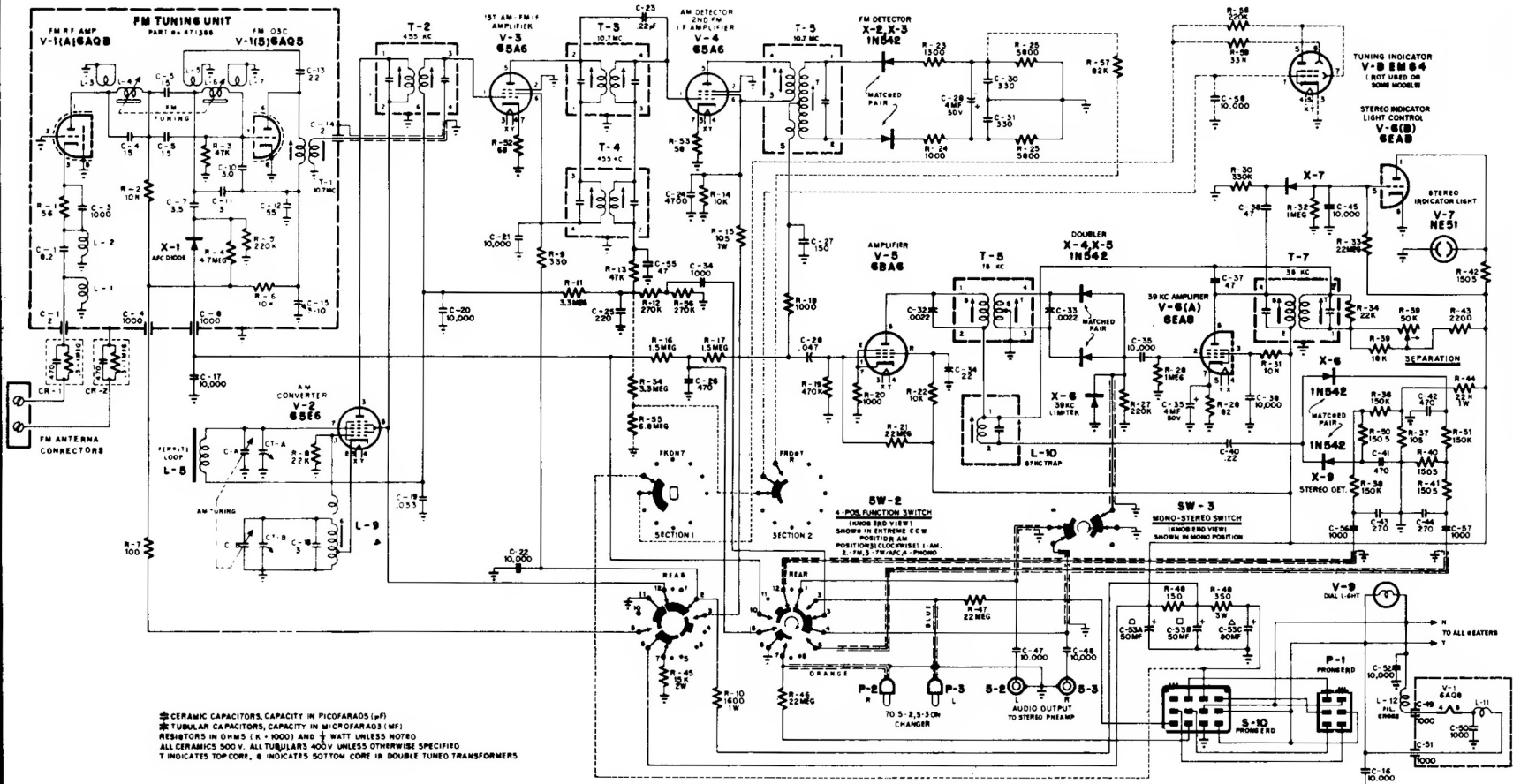


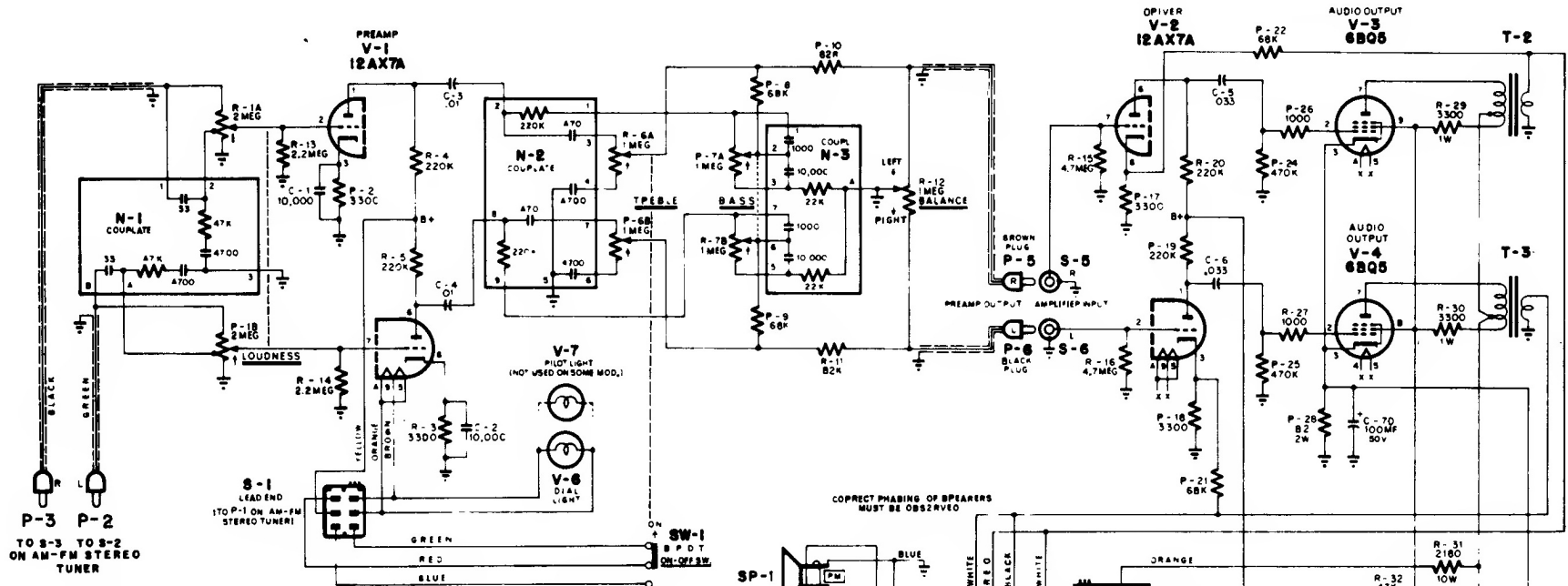
Emerson Model P-1913 is a combined radio and phonograph combination designed for playing of both stereo-phonically and monophonically recorded discs, as well as reception of standard AM radio programs and FM programs broadcast either monophonically or in the stereo mode. It is equipped with a high-fidelity, dual-channel 20 watt stereo amplifier and a separate FM/AM tuning chassis with built-in stereo multiplex circuits and FM stereo indicator lamp. The separate phono pre-amplifier chassis used in this model, in conjunction with the four-speed stereo record changer employed, provides high-quality reproduction of all types of records, including the older 78 RPM variety. Model P-1913 is equipped with a total of six self-contained loudspeakers, one wide-range speaker and two high-frequency tweeters for each of the stereo channels.

EMERSON Model P-1913, Tuner Chassis 120640



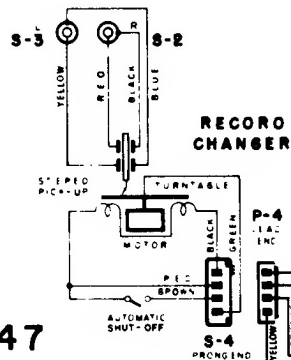
AM-FM STEREO TUNER CHASSIS No. 120640

EMERSON Model P-1913, Amplifier Chassis 120639 and 120647

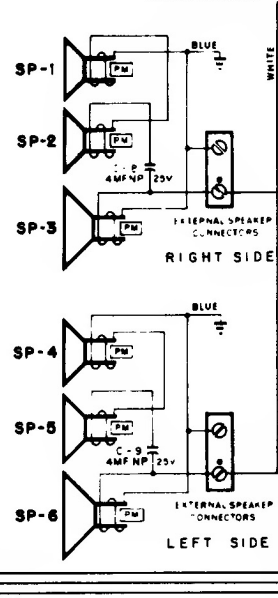


STEREO PREAMPLIFIER, CHASSIS 120647

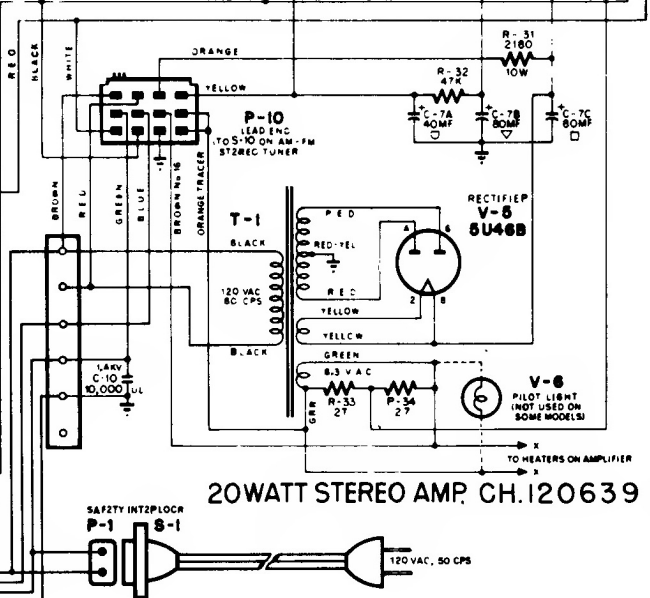
⊕ CERAMIC CAPACITORS, CAPACITY IN PICOFARADS (pF)
 * TUBULAR CAPACITORS, CAPACITY IN MICROFARADS (μF)
 RESISTORS IN OHMS (K = 1000) AND ½ WATT UNLESS NOTED
 APROXS AT CONTROLS INDICATE CLOCWISE ROTATION
 ALL CERAMICS 500 V, ALL TUBULARS 400 V UNLESS OTHERWISE SPECIFIED



CORRECT PHASING OF SPEAKERS MUST BE OBSERVED



20WATT STEREO AMP. CH. 120639



CH. NO. 120639, 120647